

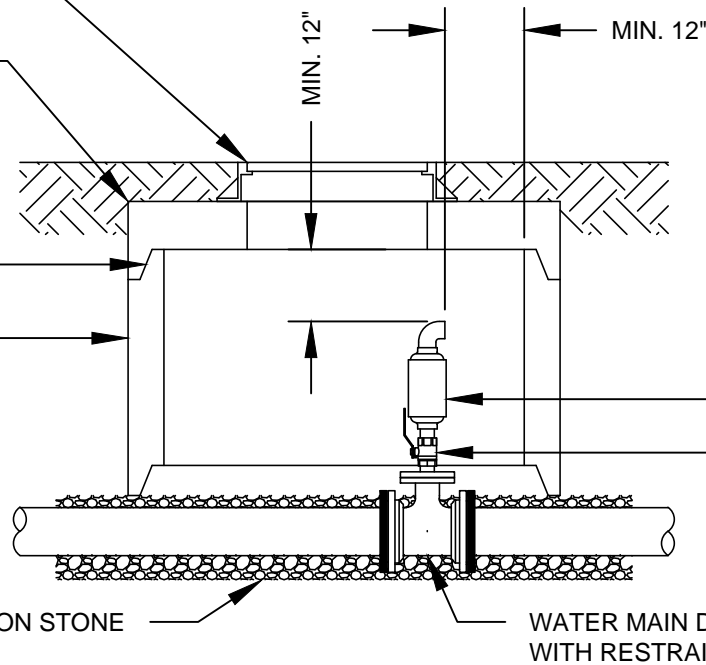
30" MANHOLE FRAME
AND VENTED COVER

60" HS-20 LOAD RATED
PRECAST FLAT TOP

PREFORMED BUTYL
JOINT SEAL

60" PRECAST
MANHOLE SECTION

#57 STABILIZATION STONE



HENRY COUNTY WATER & SEWERAGE AUTHORITY



WATER MAIN COMBINATION AIR/VACUUM VALVE

REVISED: 01/01/2012

SCALE: N.T.S.

DETAIL NO.

W10